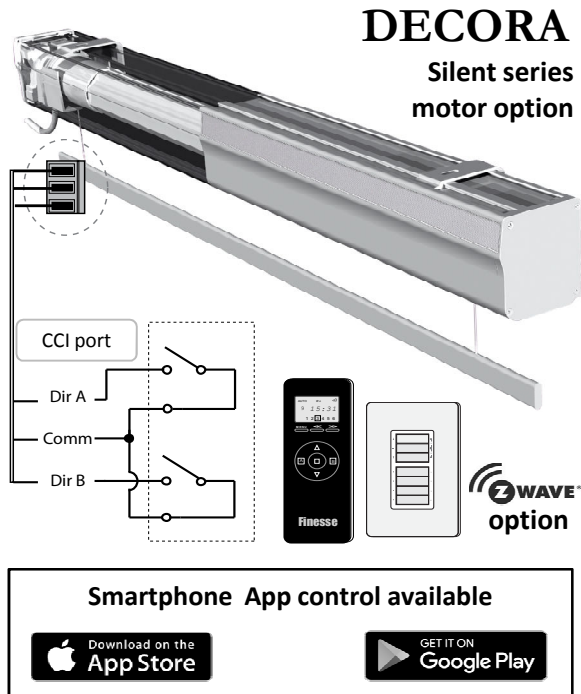


MOTORIZED ROMAN SHADE SYSTEMS

DECORA Motorized Roman Shade System

Elegant cassette design remotely controlled motorized cord lifting system for all styles of Roman, Austrian, Balloon, Hobbled, Flat and Studio shades. Spans up to 19Ft, capable of lifting up to 24lbs.

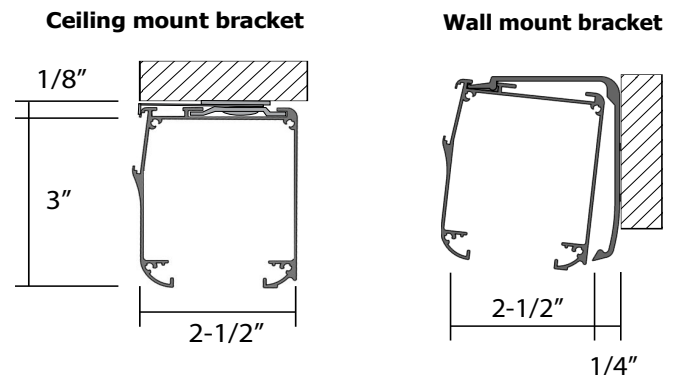


Features:

- Elegantly shaped fully enclosed cassette type profile with Velcro hook tape.
- Simple and quick installation with smart click brackets.
- Field adjustable cord take up pulleys can be placed anywhere along the profile.
- Electronic built-in limit switches allow for easy remote adjustment of automatic stopping at top and bottom positions.
- Available for plug-in and hardwiring.
- Convenient operation of single or multiple windows or for those hard to reach windows.
- 6-channel RF remote control with timer and 4-channel wireless wall switch work with every Finesse drape & shade system.
- Built-in LV port with dry contact closure interface for direct connection to any Automation system.
- Built-in Z-Wave communication module available upon request.

Specifications:

- Rated Power: 115VAC/0.9A | Rated torque: 3Nm
- Headrail Profile: 2-1/2" x 3" aluminum extrusion, powder coated white with Velcro hook on the front for fabric attachment
- Adjustable cord take up pulleys with non-stretch lifting cords are spaced up to a maximum of 20"
- Minimum system width: 24"
- Maximum system width: 228" (19ft)
- Maximum system height: 216" (18ft)
- Maximum load capacity: 8lbs per pulley (up to a maximum of 24lbs per system)



Please contact customer service for quotation

For smaller profile & low voltage power please refer to Motorized Designer Roman Shade system.
For system width under 20" please refer to Standard Motorized Roman Shade system.
For higher capacity please refer to Heavy Duty Motorized Roman Shade system.