

## MOTORIZED DRAPERY SYSTEMS

### INNOVA Motorized Decorative Drapery Rod

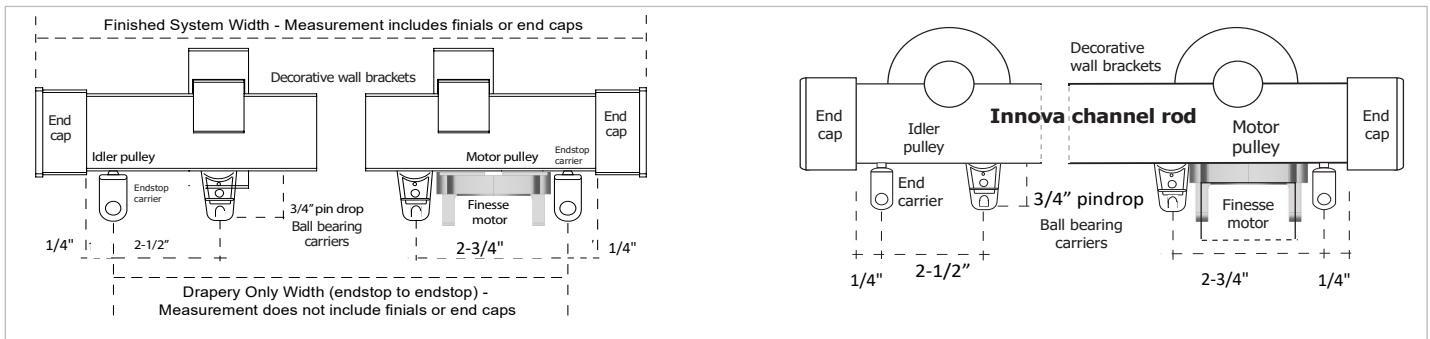
Smooth and quiet, belt driven motorized decorative drapery system available in a variety of finishes. Innova is ideal for any contemporary or traditional drape where the rod would be exposed. Spans up to 20' unspliced providing unique automated decorative drapery solution.

#### Features:

- 38mm (1.5") OD Round and 36mm Square decorative drapery rod available in 11 standard finishes.
- Rod can be custom painted.
- Innova system features ultra-quiet Finesse motors - either low voltage DC or powered by Li-Ion rechargeable battery.
- Now available to be built with any of the Somfy® drapery motors.
- Available with pinch pleat or wheeled Ripplefold carriers.
- 6-channel RF remote control & 4-channel RF wireless wall switch work with every Finesse drape & shade system.
- Integrates with all major Automation systems.



Power options: 120VAC, 24VDC plug-in or Li-Ion re-chargeable battery pack



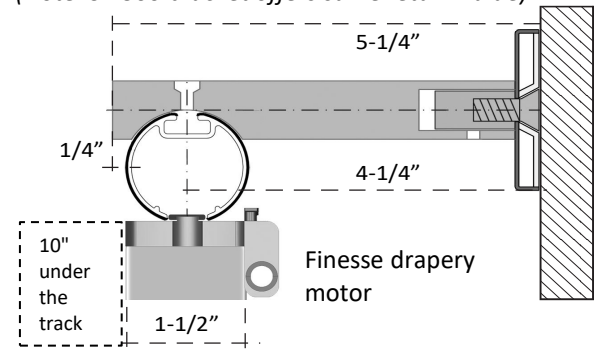
#### Specifications:

- Rod profile: 38mm (1.5") OD Round / 36mm (1.4") Square aluminum extrusion 6063 T5
- Transmission: 12mm timing belt reinforced w/steel cords
- Maximum system width unspliced: up to 240" (finials excluded)
- Maximum load capacity: 3lbs per carrier / total capacity depends on track width with 100lbs maximum per system
- **Recommended bracket spacing: maximum 32" on centre** (extra brackets at stack are recommended)

Available in the following finishes:

.47 Espresso, .50 Silver Cloud, .59 Black, .62 Gun Metal, .64 Vintage Gold, .65 Vintage Copper, .66 Cream, .71 Cloud White, .84 Gold, .88 Brushed Stainless, .90 Mirror Chrome

IC4310 Decorative bracket return  
 (Note: SI4300 bracket offers same return value)



Please contact customer service for quotation